

# OWNERS MANUAL

# OPTIX™

A PREMIUM SIGHT DESIGNED TO HUNT



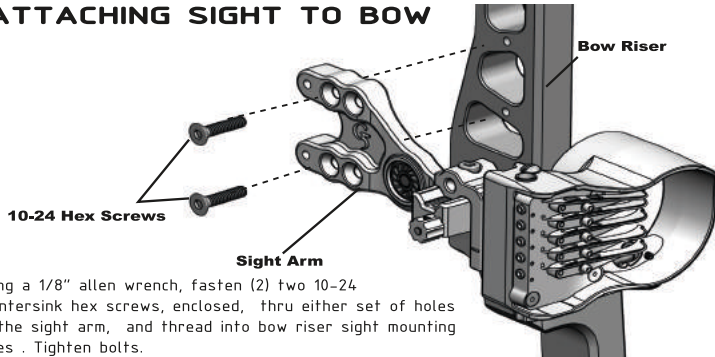
# OPTIX™

A PREMIUM SIGHT DESIGNED TO HUNT

Contact Info:  
 G5 Outdoors L.L.C.  
 P.O. Box 59  
 Memphis, MI 48041  
 Toll Free Phone:  
 1-866-456-8836  
 www.g5outdoors.com



## ATTACHING SIGHT TO BOW



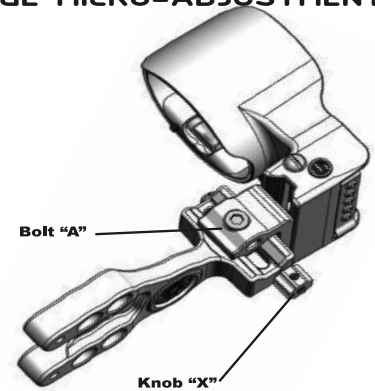
Using a 1/8" allen wrench, fasten (2) two 10-24 countersink hex screws, enclosed, thru either set of holes of the sight arm, and thread into bow riser sight mounting holes. Tighten bolts.

(WARNING: DO NOT OVER TIGHTEN!)

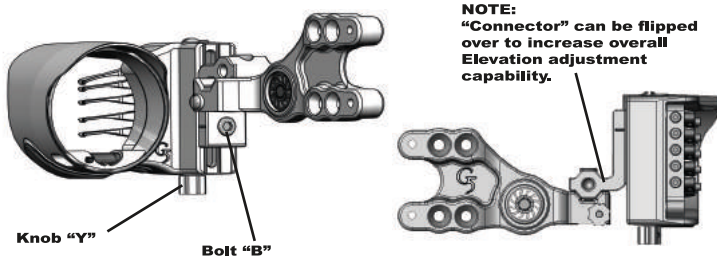
## WINDAGE MICRO-ADJUSTMENT

Using the enclosed 5/32" Allen Wrench, loosening Bolt "A" a 1/4 to 1/2 turn. Then, by hand, rotate Knob "X" counterclockwise to move sight housing to left and clockwise to move housing to right. Once proper movement has been made re-tighten Bolt "A".

(WARNING: DO NOT OVER TIGHTEN!)



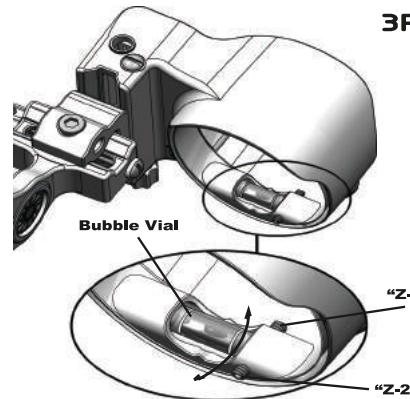
## ELEVATION MICRO-ADJUSTMENT



Using the enclosed 5/32" Allen Wrench, loosening Bolt "B" a 1/4 to 1/2 turn. Then, by hand, rotate Knob "Y" counterclockwise to move sight housing up and clockwise to move sight housing down. Once proper movement has been made re-tighten Bolt "B".

(WARNING: DO NOT OVER TIGHTEN!)

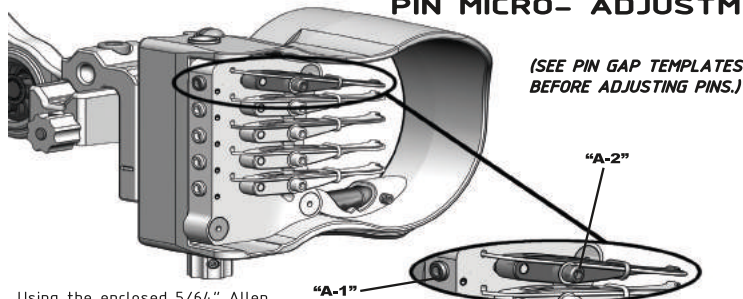
## 3RD AXIS ADJUSTMENT



- 1.) Using a plum bob, or similar, hang from elevated position, i.e. ceiling.
- 2.) Nock an arrow and kneel down on floor while holding bow.
- 3.) Draw bow back with nocked arrow and aim up toward plum bob, or similar. Now align the top pin and bottom pin to the plum bob. Take a look at bubble vial.
- 4.) Let bow down from full draw carefully. Make adjustment to bubble vial by loosening and tightening set screws "Z-1" and "Z-2" using a 1/16" allen wrench.
- 5.) Repeat steps 3 & 4 until bubble vial is perfectly aligned at full draw.

(WARNING: DO NOT OVER TIGHTEN!)

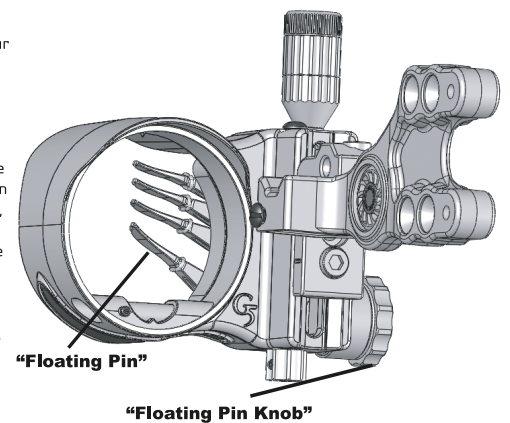
## PIN MICRO-ADJUSTMENT SETTING UP FLOATING SMART PIN



Using the enclosed 5/64" Allen Wrench, loosening Bolt "A-2" a 1/4 turn. Then, turn Bolt "A-1" clockwise to move pin up and counterclockwise to move pin down. Once proper movement is made, re-tighten Bolt "A-2". (Also make sure Bolt "A-1" is also lightly tightened after pin movement to make sure no unwanted noise is heard during bow firing.) (WARNING: DO NOT OVER TIGHTEN!)

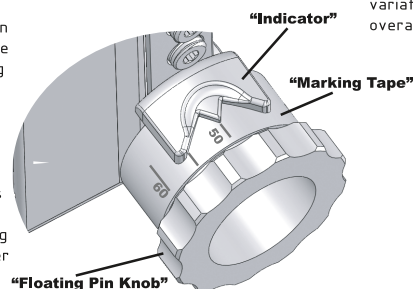
It is recommended that before starting this step you know your approximate arrow speed in feet/second (fps). Please refer to the pin gap reference templates on the back of this page to pre-adjust the top three Smart Pins first. Once the top three pins (20,30,40 yards in most cases) have been adjusted, move the "Floating Pin" into position. Following the reference templates closely will allow you to maximize the travel of the Floating Pin.

Once your pin gaps are pre-set, micro-adjust the entire Optix housing to get the top pin on target. You may have to fine-tune the remaining pins from that point based on variations in arrow speed and overall bow setup.



## ADJUSTING FLOATING SMART PIN

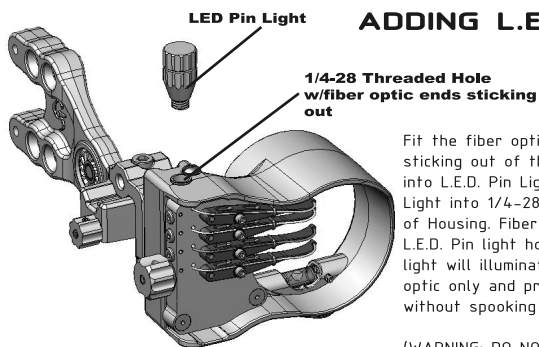
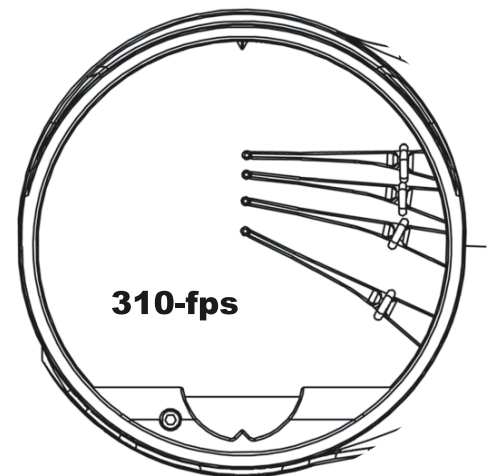
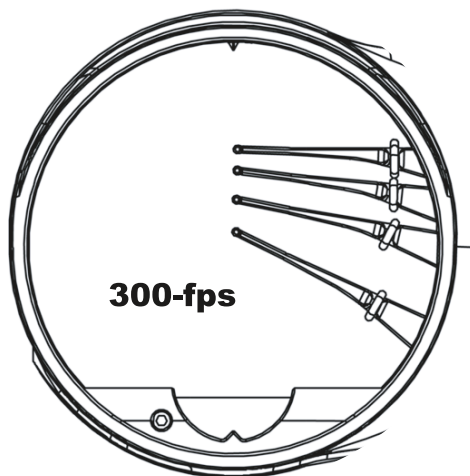
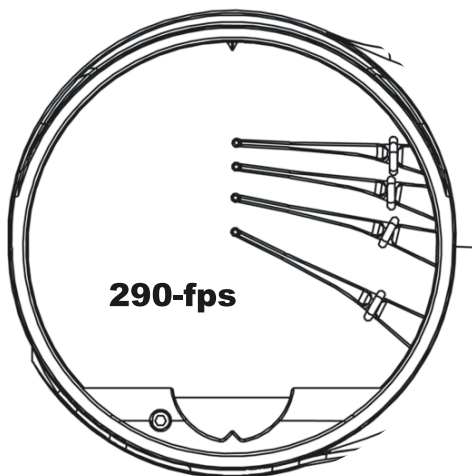
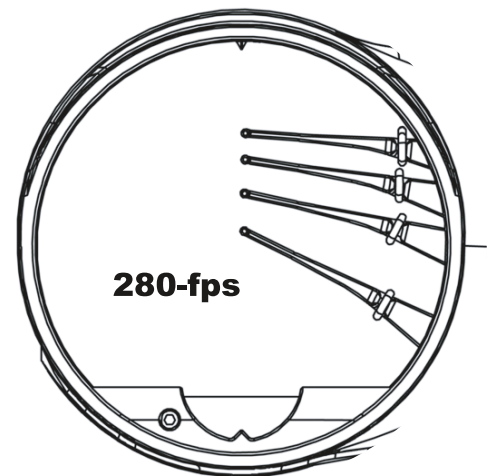
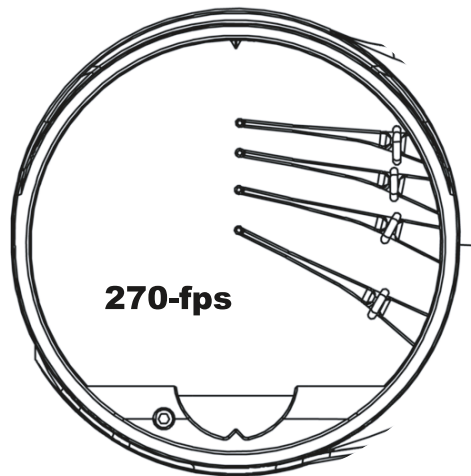
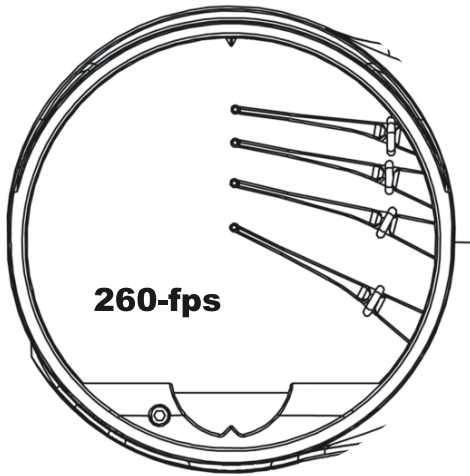
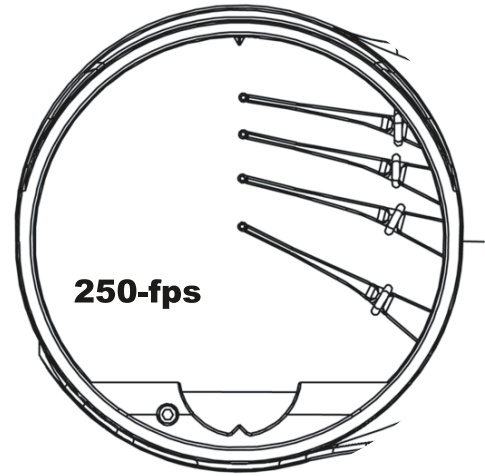
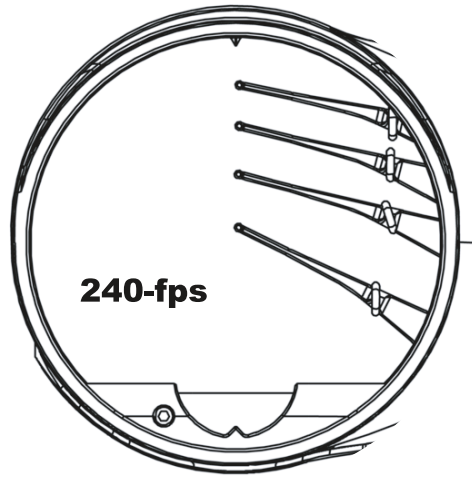
You can move the Floating Pin by rotating the "Floating Pin Knob" clockwise to move the pin down or counter-clockwise to move the pin up. One full rotation of the knob will move the Floating Pin its entire range of movement. There is white vinyl tape on the Floating Pin Knob. This tape allows the shooter to "mark" extended ranges with a ball-point pen or permanent marker by use of the indicator (see example image). Using the indicator as a reference point will allow consistent adjustment of the Floating Pin at multiple ranges. Note: For optimum adjustment accuracy, always adjust the Floating Pin from the above or a closer distance, down to the intended shot distance. Adjusting the Floating Pin from a farther distance up to a closer distance will never be as accurate of a movement.



## XR PIN GAP REFERENCE

To help speed up the tuning process of your new OPTIX XR sight, try using this simple pin reference guide. First, find out the speed of your arrow. Then simply place your sight window over one of the eight templates that is nearest to your known arrow speed. Finally, adjust each pin so they overlap the pins in each template.

*Tip: Use this template before you mount the sight to your bow. Then simply adjust for windage and elevation and very minor pin adjustments.*



## ADDING L.E.D PIN LIGHT

Fit the fiber optics ends that are sticking out of the 1/4-28 threaded hole into L.E.D. Pin Light and screw L.E.D. Pin Light into 1/4-28 Threaded Hole on top of Housing. Fiber optics will fit inside L.E.D. Pin light housing where the L.E.D. light will illuminate the ends of the fiber optic only and produce bright fibers without spooking any game animal.

(WARNING: DO NOT OVER TIGHTEN!)

## OPTIX SIGHT WARRANTY POLICY

YOUR OPTIX SIGHT IS WARRANTED AGAINST DEFECTS IN MATERIALS AND WORKMANSHIP TO THE ORIGINAL OWNER FOR THE LIFE OF THE ORIGINAL OWNER. SIGHTS SENT BACK TO G5 OUTDOORS WITHOUT A PRE-ISSUED RETURN AUTHORIZATION NUMBER WILL BE REFUSED, ANY AND ALL WARRANTIES, WRITTEN OR IMPLIED, ARE VOID WITH ANY ALTERATIONS TO THE SIGHT.